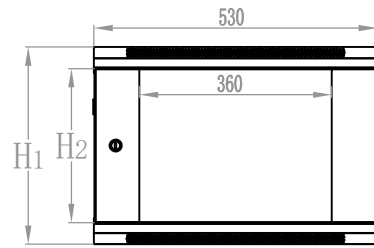


Main Component

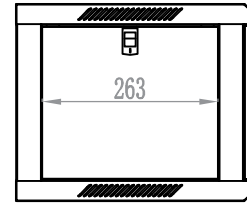
No.	Component Name	Quantity	Unit	Material Specification	Surface Finish	Note
1	Top cover	1	Pcs	SPCC cold rolled steel T0.6	Power coated	--
2	Bottom panel	1	Pcs	SPCC cold rolled steel T0.6	Power coated	--
3	Side panel	2	Pcs	SPCC cold rolled steel T0.6	Power coated	--
4	Frame	2	Pcs	SPCC cold rolled steel T0.6	Power coated	--
5	Back panel	1	Pcs	SPCC cold rolled steel T0.6	Power coated	Or Hexagonal Mesh Door
6	Front Door	1	Pcs	Tempered glass 5mm	Power coated	--
7	Mounting profile	4	Pcs	SPCC cold rolled steel T0.8	Galvanization	--
8	Mounting tray	1	Pcs	SPCC cold rolled steel T0.6	Power coated	--
9	Little round lock	1	Pcs	Steel	Galvanization	With 2 keys
10	Castor	4	Pcs	Plastic	--	Only for 12U
11	Installation screws for cabinet	30	Pcs	Steel	Spray paint	--
12	Installation screws for castor	4	Pcs	Steel	Galvanization	Only for 12U
13	Installation screws for Mounting tray	4	Pcs	Steel	Galvanization	--
14	Installation screws for Equipment	4	Pcs	Steel	Galvanization	--

Designer		 HTYZ 河北华腾亿州电气设备有限公司 Network & Server Cabinet Hebei Huateng Yizhou Electrical Equipment Co., LTD	
Auditor			
Standard		400D Series Wall-Mounted Network Cabinet Exploded Drawing	Edition: V1.0
Approver			Ratio: 1:10
Date	2022. 7. 1		Page 1, Total 1 pages

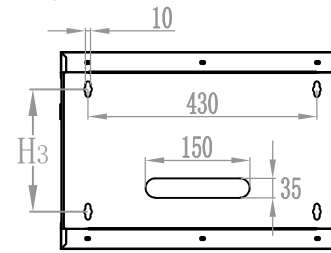
Signature
Date



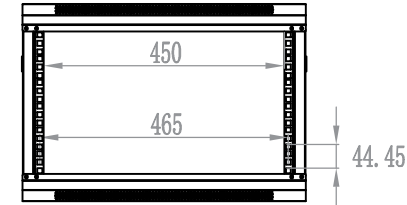
Front view



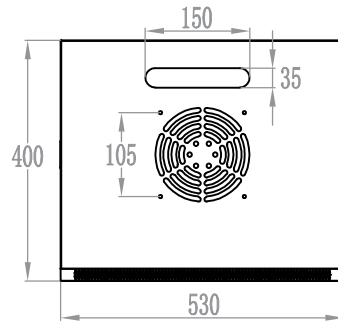
Side View



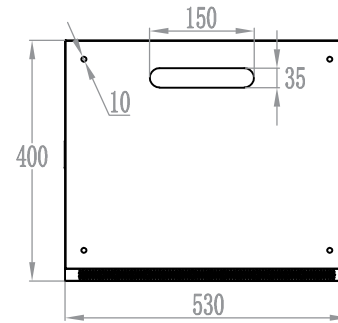
Rear View



Mounting Dimension



Top View



Bottom View

Model Type	Capacity	Cabinet Height (H ₁)	Panel Height (H ₂)	Wall-Mounted Hole Distance (H ₃)
ML6404S	4U	200	120	80
ML6406S	6U	300	220	140
ML6409S	9U	450	370	290
ML6412S	12U	600	520	440

Instructions:

- 1、Drawing size unit:mm;
- 2、Standard:Comply with IEC297-2, GB/T4208-2017, GB4943. 1-2011, JB/T 10216-2013;
- 3、Install size: The network cabinet standard is 19-inch, install width 483mm±2mm, distance of edge of vertical beam 465mm, distance between bars and rear panel 450mm;
- 4、Color: Black, meet the customized;
- 5、Type of door: Steel front door, rear panel can be open, other types meet the customized;
- 6、IP standard: IP20;
- 7、The instructions of installation: The cabinet designed to be attached to the wall and floor standing, the panels has holes on the top, bottom and rear, collect wires more convenient, the wall-mount network cabinet has wall-mounted hole, 4 pieces of 10mm expansion screws hang on the wall.

Designer		 HTYZ 河北华腾亿州电气设备有限公司 Network & Server Cabinet Hebei Huateng Yizhou Electrical Equipment Co., LTD
Auditor		
Standard		
Approver		
Date	2022. 7. 1	
400D Series Wall-Mounted Network Cabinet		Edition: V1.0
		Ratio: 1:10
		Page 1, Total 1 pages